

3-Way Diverting Iron

2- 1/2" – 8"

APPLICATION:

Control of Water; Water and Glycol Solutions to 50%. Valves divert one flow into two directions (Diverting). Seat Closure ANSI Class II*

CONSTRUCTION:

Body: ANSI B16.1 Iron 125lb Flange or 250lb Flange
 Trim: Linear, Bronze or 300 Series Stainless Steel
 Stem: 316 Stainless Steel
 Bonnet: Brass
 Packing: Guided Low-Friction TFE V-Ring, Self Adjusting (Except w/115 Actuator, TFE V-Ring, Self-Adjusting only)
 O-Ring: EPR

TRIM LIMITS (Flowing Differential Pressure):

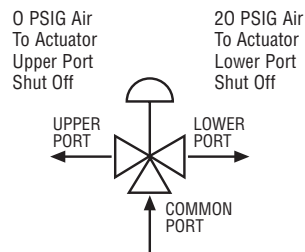
Brz Trim: Liquids to 40 PSID
 S/S Trim: Liquids to 100 PSID

BODY PRESSURE-TEMPERATURE RATINGS:

Temp.	125 FLG (ratings are PSIG)	250 FLG (ratings are PSIG)
+32 to 150° F	175	400
300° F	140	310

NOTES:

- 1) Inlet Pressure cannot exceed Body Pressure-Temperature Rating.
- 2) Shut-off PSID is per stated ANSI Shut-off Classification.
- 3) Flowing PSID for water service should be no greater than 2/3 of Inlet Pressure unless verified for absence of cavitation with Warren Valve Sizing Program.
- 4) The difference between the upper port and the lower port pressure must not exceed 50PSID.



CONFIGURATIONS:

Select Valve and Actuator Code in Tables:

Valve					50 Actuator 20 PSIG Supply			
Cv	Size	Flng.	Trim	Valve Code	8-13 PSIG Range		w. 42 Positioner	
					Shut Off PSID	Actuator Code	Shut Off PSID	Actuator Code
68	2.5	125	BRZ	VA3210CA	100	D001	100	D003
68	2.5	125	S/S	VA3210CC	100	D001	100	D003
68	2.5	250	BRZ	VA3210DA	100	D001	100	D003
68	2.5	250	S/S	VA3210DC	100	D001	100	D003
85	3	125	BRZ	VA3211CA	100	D001	100	D003
85	3	125	S/S	VA3211CC	100	D001	100	D003
85	3	250	BRZ	VA3211DA	100	D001	100	D003
85	3	250	S/S	VA3211DC	100	D001	100	D003
160	4	125	BRZ	VA3213CA	100	D001	100	D003
160	4	125	S/S	VA3213CC	100	D001	100	D003
160	4	250	BRZ	VA3213DA	100	D001	100	D003
160	4	250	S/S	VA3213DC	100	D001	100	D003

50 Actuator Specifications:

Effective Area: 50 Square Inches
 Construction: Aluminum Yoke and Diaphragm Chamber with Neoprene Diaphragm.
 Mounting: Vertical Above Valve

Valve					84 Actuator 20 PSIG Air Supply					
Cv	Size	Flng.	Trim	Valve Code	9-15 PSIG Range		w.42 Positioner		w.760P Positioner	
					Shut Off PSID	Actuator Code	Shut Off PSID	Actuator Code	Shut Off PSID	Actuator Code
68	2.5	125	BRZ	VA3210CA	125	D008	125	D012	125	D016
68	2.5	125	S/S	VA3210CC	125	D008	125	D012	125	D016
68	2.5	250	BRZ	VA3210DA	125	D008	125	D012	125	D016
68	2.5	250	S/S	VA3210DC	125	D008	125	D012	125	D016
85	3	125	BRZ	VA3211CA	125	D008	125	D012	125	D016
85	3	125	S/S	VA3211CC	125	D008	125	D012	125	D016
85	3	250	BRZ	VA3211DA	125	D008	125	D012	125	D016
85	3	250	S/S	VA3211DC	125	D008	125	D012	125	D016
160	4	125	BRZ	VA3213CA	125	D008	125	D012	125	D016
160	4	125	S/S	VA3213CC	125	D008	125	D012	125	D016
160	4	250	BRZ	VA3213DA	125	D008	125	D012	125	D016
160	4	250	S/S	VA3213DC	125	D008	125	D012	125	D016
195	5	125	BRZ	VA3214CA	125	D009	125	D013	125	D017
195	5	125	S/S	VA3214CC	125	D009	125	D013	125	D017
195	5	250	BRZ	VA3214DA	125	D009	125	D013	125	D017
195	5	250	S/S	VA3214DC	125	D009	125	D013	125	D017

84 Actuator Specifications:

Effective Area: 84 Square Inches
 Construction: Acrylic Enamel Coated Iron Yoke and Steel Diaphragm Chamber with Buna-N Diaphragm.
 Mounting: Vertical Above Valve

Control Action:

Increasing Signal Closes Lower Port/Opens Upper Port
 Operating Range may differ from Signal Range,
 Use a Positioner to Match Ranges

42 Positioner Specifications:

Control Signal: 3-15 PSIG (Factory Setting)
 Adjustable/Non-Reversible
 Air Supply/Consumption: 20 PSIG/Approx 0.012 SCFM

760P Positioner Specifications:

Control Signal: 3-15 PSIG (Factory Setting)
 Adjustable/Reversible
 Air Supply/Consumption: 20 PSIG/Approx 0.020 SCFM

2- 1/2" – 8"

3-Way Diverting Iron

Diaphragm-Actuated Valves

CONFIGURATIONS CONTINUED:

Select Valve and Actuator Code in Tables:

Valve					115 Actuator 20 PSIG Supply			
Cv	Size	Flng.	Trim	Valve Code	9-15 PSIG Range		w. 760P Positioner	
					Shut Off PSID	Actuator Code	Shut Off PSID	Actuator Code
270	6	125	BRZ	VA3215CB	125	D025	125	D031
270	6	125	S/S	VA3215CD	125	D025	125	D031
270	6	250	BRZ	VA3215DB	125	D025	125	D031
270	6	250	S/S	VA3215DD	125	D025	125	D031
425	8	125	BRZ	VA3217CB	125	D025	125	D031

115 Actuator Specifications:

Effective Area: 115 Square Inches

Construction: Acrylic Enamel Coated Aluminum Yoke and Steel Diaphragm Chamber with Buna-N Diaphragm.

Mounting: Vertical Above Valve

ROUGHING DIMENSIONS (Inches):

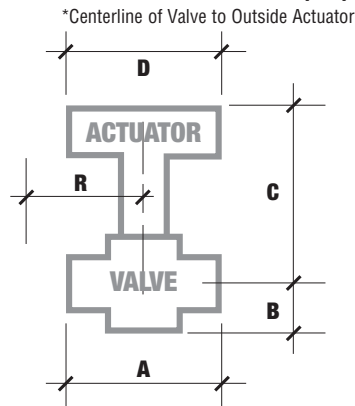
Component		Dimension by Valve Size (Inches)					
variable		2-1/2	3	4	5	6	8
A	125 FLG	9	10	13	12	14-1/8	16-1/4
A	250 FLG	9-5/8	10-3/4	13-5/8	12-7/8	14-1/2	16-1/4
B	125 FLG	7-1/8	8	9-7/8	10-1/2	11-1/8	11-7/8
B	250 FLG	7-3/8	8-3/8	10-1/4	11	11-1/2	12-3/8
C	50 Actuator	17-7/8	18-3/4	19-1/2	N/A	N/A	N/A
C	84 Actuator	21-1/4	22-1/8	22-7/8	23-1/2	24-1/8	N/A
C	115 Actuator	N/A	N/A	N/A	N/A	37-1/4	37-5/8
D	50 Actuator	10-1/2	10-1/2	10-1/2	N/A	N/A	N/A
D	84 Actuator	13-7/8	13-7/8	13-7/8	13-7/8	N/A	N/A
D	115 Actuator	N/A	N/A	N/A	N/A	16-3/4	16-3/4
R*	50 w/42	7-1/2	7-1/2	7-1/2	N/A	N/A	N/A
R*	84 w/42	9	9	9	9	N/A	N/A
R*	84 w/760P	8-1/8	8-1/8	8-1/8	8-1/8	N/A	N/A
R*	115 w/760P	N/A	N/A	N/A	N/A	11-1/4	11-1/4

WEIGHTS:

Item	Weight (LBS.)	
Valve (in.)	125FLG	250FLG
2-1/2	59	73
3	78	94
4	138	164
5	152	213
6	203	284
8	316	407
Actuator	LBS.	
50	13	
84	48-1/2	
115	84	
Positioner	LBS.	
42	1	
760P	8	

Actual shipping weights may vary.

Allow 4-5/8 inch clearance above actuator for removal / service (50 & 84).
Allow 5-1/8 inch clearance above actuator for removal / service (115).



VA3210CA-D003



VA3213CA-D016



VA3217CB-D031

