

Double-Seated Iron Normally Closed

1-1/2" – 2"

APPLICATION:

Control of Saturated Steam; Water; Water and Glycol Solutions to 50%. Seat Closure ANSI Class III*

CONSTRUCTION:

Body: ANSI B16.15 Iron 250lb. Threaded (NPT)
 Trim: EQ%, 300 Series Stainless Steel
 Stem: 316 Stainless Steel
 Bonnet: Brass
 Packing: Guided Low-Friction TFE V-Ring, Self Adjusting

TRIM LIMITS (Flowing Differential Pressure):

S/S Trim: Liquids or Steam to 100 PSID

CONFIGURATIONS:

Select Valve and Actuator Code in Tables:

BODY PRESSURE-TEMPERATURE RATINGS:

Temp.	250 THD (ratings are PSIG)
+32 to 150° F	400
400° F	250

NOTES:

- 1) Inlet Pressure cannot exceed Body Pressure-Temperature Rating.
- 2) Shut-off PSID is per stated ANSI Shut-off Classification.
- 3) Flowing PSID for water service should be no greater than 2/3 of Inlet Pressure unless verified for absence of cavitation with Warren Valve Sizing Program.

Valve					50 Actuator 20 PSIG Supply			
Cv	Size	Thd NPT	Trim	Valve Code	8-13 PSIG Range		w. 42 Positioner	
					Shut Off PSID	Actuator Code	Shut Off PSID	Actuator Code
30	1.5	250	S/S	VA7208BC	100	D001	100	D003
42	2	250	S/S	VA7209BC	100	D001	100	D003

50 Actuator Specifications:

Effective Area: 50 Square Inches
 Construction: Aluminum Yoke and Diaphragm Chamber with Neoprene Diaphragm.
 Mounting: Vertical Above Valve

Valve					84 Actuator 20 PSIG Air Supply							
Cv	Size	Thd NPT	Trim	Valve Code	9-15 PSIG Range		3-15 PSIG Range		w.42 Positioner		w.760P Positioner	
					Shut Off PSID	Actuator Code	Shut Off PSID	Actuator Code	Shut Off PSID	Actuator Code	Shut Off PSID	Actuator Code
30	1.5	250	S/S	VA7208BC	400	D008	385	D004	400	D012	400	D016
42	2	250	S/S	VA7209BC	400	D008	385	D004	400	D012	400	D016

84 Actuator Specifications:

Effective Area: 84 Square Inches
 Construction: Acrylic Enamel Coated Iron Yoke and Steel Diaphragm Chamber with Buna-N Diaphragm.
 Mounting: Vertical Above Valve

Control Action:

Increasing Signal Opens Valve
 Operating Range may differ from Signal Range,
 Use a Positioner to Match Ranges

42 Positioner Specifications:

Control Signal: 3-15 PSIG (Factory Setting)
 Adjustable/Non-Reversible
 Air Supply./Consumption: 20 PSIG/Approx 0.012 SCFM

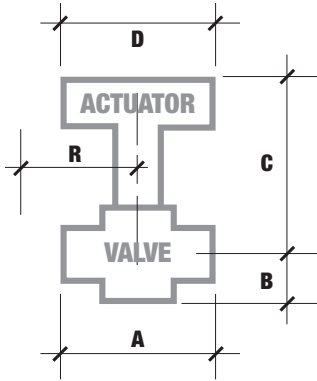
760P Positioner Specifications:

Control Signal: 3-15 PSIG (Factory Setting)
 Adjustable/Reversible
 Air Supply./Consumption: 20 PSIG/Approx 0.020 SCFM

1-1/2" – 2"

Double-Seated Iron Normally Closed

Diaphragm-Actuated Valves



ROUGHING DIMENSIONS (Inches):

Component		Dimension by Valve Size (In)	
variable		1-1/2"	2"
A	250THD	7-3/8	7-3/8
B	250THD	4	4
C	50 Actuator	16-1/2	16-1/2
C	84 Actuator	19-7/8	19-7/8
D	50 Actuator	10-1/2	10-1/2
D	84 Actuator	13-7/8	13-7/8
R*	50 w.42	7-1/2	7-1/2
R*	84 w.42	9	9
R*	84 w.760P	8-1/8	8-1/8

Allow 3-7/8 inch clearance above actuator for removal / service.

*Centerline of Actuator to Outside point of Positioner

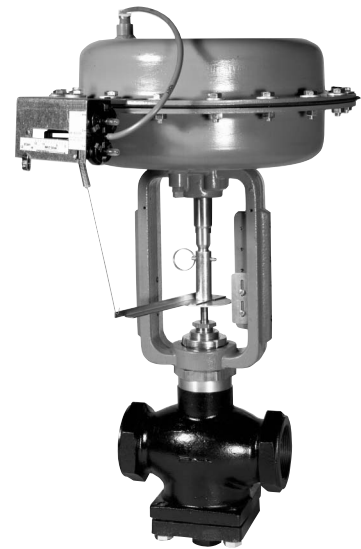
WEIGHTS:

Item	Weight
Valve Size (in.)	LBS.
1-1/2	19
2	18-1/2
Actuator	LBS.
50	13
84	48-1/2
Positioner	LBS.
42	1
760P	8

Actual shipping weights may vary.



VA7209BC-D003



VA7209BC-D012

