

**Feature:**

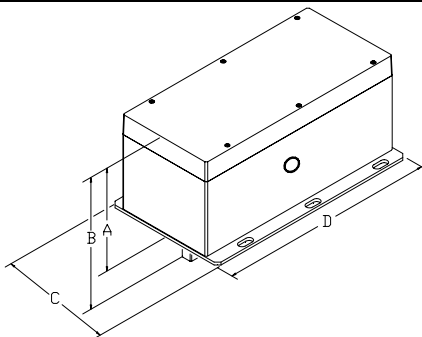
- Up to 3500 in.lb [400Nm].
- Clutch for manual adjustments.
- Maintenance free.
- Fail safe (battery backup) (on model 8030 & 9030).
- Auxiliary switches (on model -AUX2).
- Enclosure IP56.

New Number

UB8000A	UT000
UB8000A-AUX2	UT020
UB8030A	UT010
UB8030A-AUX2	UT030
UB9000A	WT000
UB9000A-AUX2	WT020
UB9030A	WT010
UB9030A-AUX2	WT030

Technical Data	UB8000A UT000	UB8000A -AUX2 UT020	UB8030A UT010	UB8030A -AUX2 UT030	UB9000A WT000	UB9000A -AUX2 WT020	UB9030A WT010	UB9030A -AUX2 WT030
Auxiliary switches	No	Yes (2)	No	Yes (2)	No	Yes (2)	No	Yes (2)
Fail safe	No		Yes		No		Yes	
Torque	1800 in.lb. [200 Nm] at rated voltage				3500 in.lb. [400 Nm] at rated voltage			
Running time through 90°	45 sec.				90 sec.			
Feedback	4 to 20 mA or 2 to 10 VDC adjustable							
Power consumption	100 VA							
Power supply	22 to 26 VAC or 28 to 32 VDC							
Electrical connection	18 AWG [0.8 mm ²] minimum							
Inlet bushing	3 inlet bushing of 7/8 in [22.2 mm]							
Control signal	4 wire / 2 position, 5 wire / 3 point floating							
Angle of rotation	0 to 110 degrees, electronically adjustable (factory set with 110° stroke)							
Direction of rotation	Reversible, Clockwise (CW) or Counterclockwise (CCW) (factory set with CW direction)							
Ambient temperature	0°F to +122°F [-18° C to +50° C]							
Storage temperature	-22°F to +122°F [-30° C to +50° C]							
Relative Humidity	5 to 95 % non condensing.							
Weight	26 lbs. [12 kg]							

Warning: Do not press the clutch when actuator is powered

Dimensions

Dimension	Inches	Metric (mm)
A	6.75	169.4
B	7.95	201.9
C	7.85	199.4
D	14.45	367.0

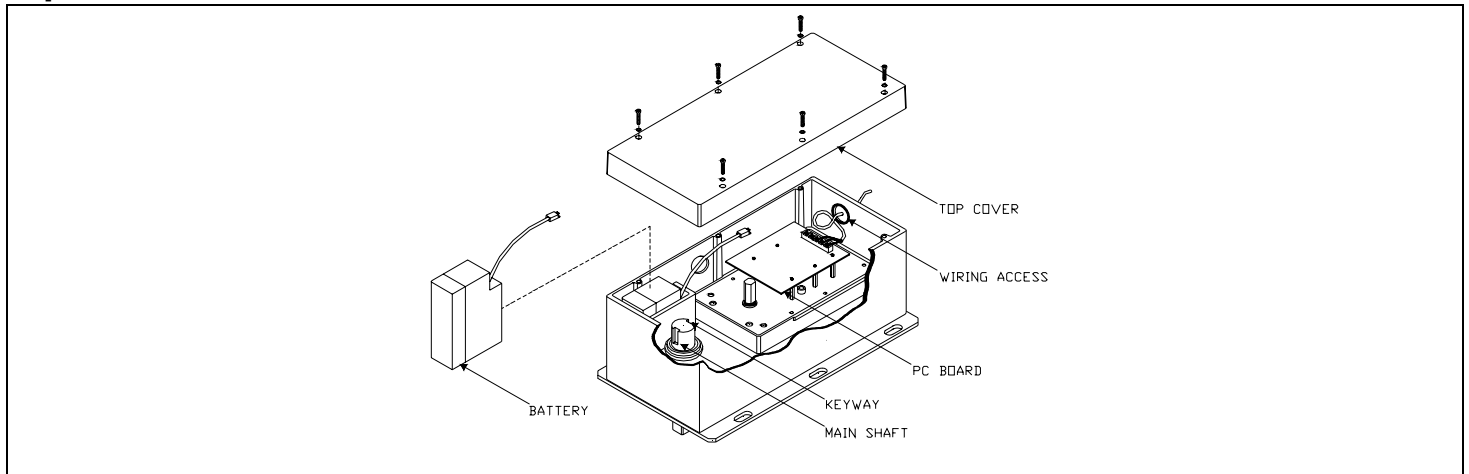
Caution

We strongly recommend that all neptronic® products be wired to a separate transformer and that transformer shall service only neptronic® products. This precaution will prevent interference with, and/or possible damage to incompatible equipment.

When multiple actuators are wired on a single transformer, polarity must be observed. Long wiring runs create voltage drop which may affect the actuator performance.

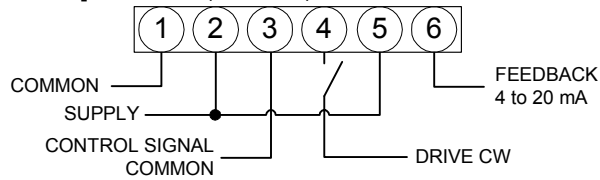


Exploded view

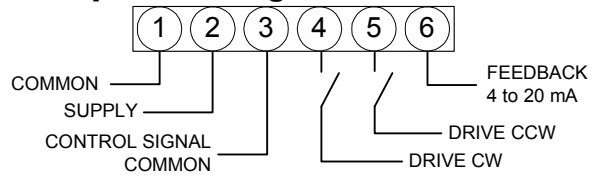


Wiring Diagrams

4 wire / 2 position (ON-OFF)



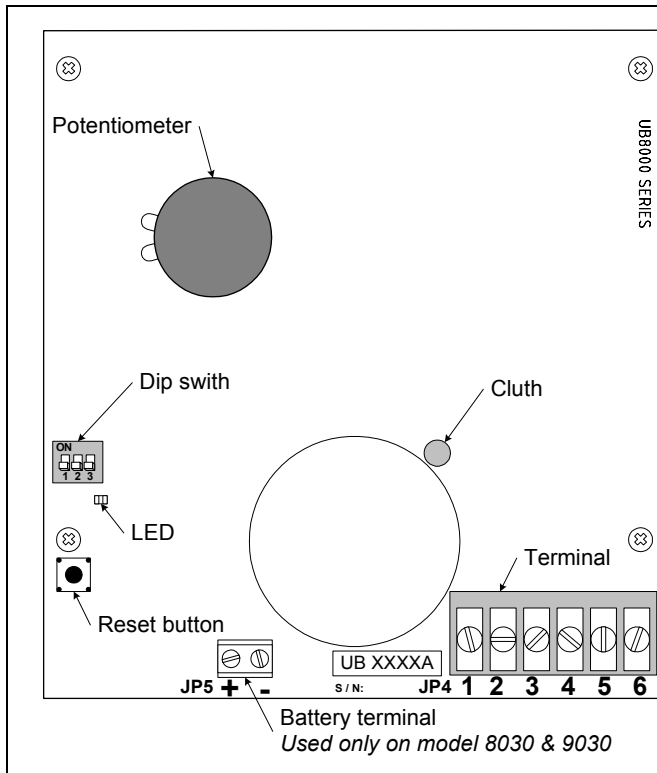
5 wire / 3 point floating



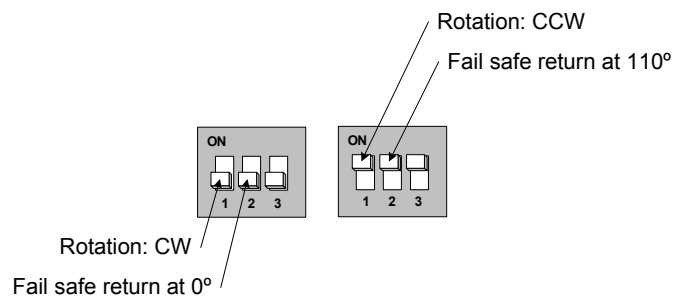
For 2 to 10 VDC output feedback

For any of above wiring configurations, connect one of the supplied 500 ohm resistors between pins 1 and 6.

PC Board



Dip switch settings



Stroke adjustment

To adjust the stroke, press and release the reset button to start the auto-stroke process.

The LED should be illuminated.

- First option:
The actuator will then travel in both directions to find its limit.
The LED will extinguish, the process is complete.
- Second option:
When the desired end position is reached, press and release the reset button. The actuator will now return back to its original position. (you can also press and release the reset button when it reaches the original position)
The LED will extinguish, the process is complete.

