



Feature:

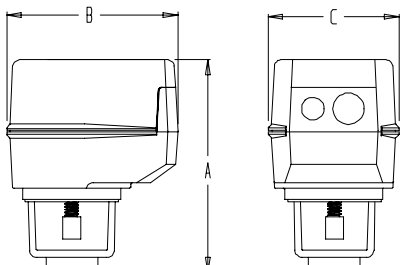
- Retrofit assembly available for the majority of the manufacturers of valves (with option –XX-Y) (see Retrofit option).
- Variable running time.
- Manual override.
- Maintenance free.
- Fail safe by *Enerdrive System*¹ (on model 060, 065 & 080).
- Auxiliary switches. (on model 020, 021 & 080).

	QAT1000A	QAT1005A	QAT1021A	QAT1060A	QAT1065A	QAT1080A	AT000-30	AT005-30	AT020-30	AT060-30	AT065-30	AT080-30
<i>New Number</i>	AT000	AT005	AT020	AT060	AT065	AT080						

Technical Data	QAT 1000A AT000	QAT 1005A AT005	QAT 1021A AT020	QAT 1060A AT060	QAT 1065A AT065	QAT 1080A AT080	AT000-30	AT005-30	AT020-30	AT060-30	AT065-30	AT080-30
Auxiliary switches	No	No	Yes(2)	No	No	Yes(2)	No	No	Yes(2)	No	No	Yes(2)
Feedback	No	Yes	No	No	Yes	No	No	Yes	No	No	Yes	No
Fail safe - Enerdrive	No			Yes			No			Yes		
Power consumption	6 VA			20VA Peak, 6VA			6 VA			20VA Peak, 6VA		
Control signal	3 wire / 2 position, 3 wire / 3 point floating			2 wire / 2 position, 4 wire / 3 point floating			3 wire / 2 position, 3 wire / 3 point floating			2 wire / 2 position, 4 wire / 3 point floating		
Running time to ½ inch	60 sec force depending						30 sec force depending					
Force	100 lb. [450 N] at rated voltage											
Power supply	22 to 26 VAC or 28 to 32 VDC											
Electrical connection	18 AWG [0.8 mm ²] minimum											
Inlet bushing	2 inlet bushing of 5/8 in [15.9 mm] & 7/8 in [22.2 mm]											
Maximum stroke	1 in [25.4 mm]											
Direction	Reversible, normally open or normally close (factory set with normally close direction)											
Ambient temperature	0°F to +122°F [-18° C to +50° C]											
Storage temperature	-22°F to +122°F [-30° C to +50° C]											
Relative Humidity	5 to 95 % non condensing.											
Weight	2 lbs. [0.9 kg]											

Warning: Do not use automatic screw driver on manual override

Dimensions



Dimension	Inches	Metric (mm)
A	5.93	150.6
B	4.80	121.9
C	3.60	91.4

Caution

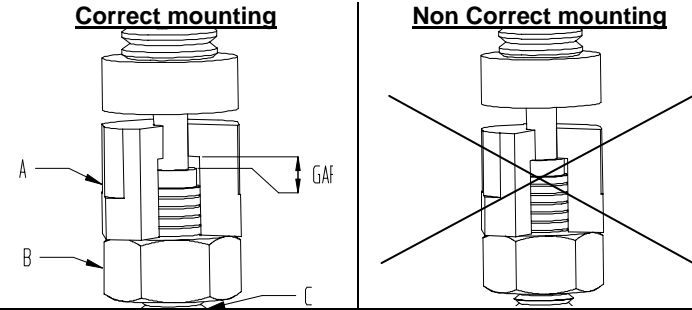
We strongly recommend that all neptronic® products be wired to a separate transformer and that transformer shall service only neptronic® products. This precaution will prevent interference with, and/or possible damage to incompatible equipment.

When multiple actuators are wired on a single transformer, polarity must be observed. Long wiring runs create voltage drop which may affect the actuator performance.

¹ Enerdrive System U.S.A. Patent #5,278,454

Mechanical installation

Mounting of the actuator on valve

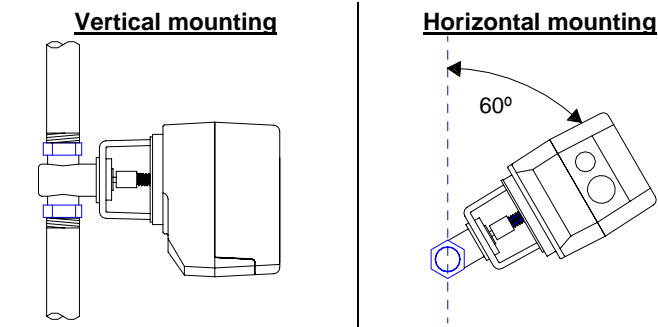


1. Screw completely the valve shaft (C) unto the coupling of the actuator (A).
2. Unscrew the coupling (A) for 1/2 of turn in order to leave a functional play.
3. Screw the counter nut (B).

Warning:

Do not over tight coupling of the actuator on the shaft of the valve.

Mounting of the actuated valve on system

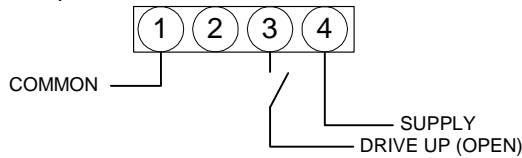


1. Pay attention to system particularity; be sure that the expansions, contractions of the system and its medium as well as operating pressures are within the tolerances.
2. When plumbing, the motorized valve should be situated in an easily accessible place and sufficient space should be allowed for the removal of the actuator.
3. To prevent moisture from collecting in the motor casing, install the motorized valve such that the **actuator is superior to the valve**, at 60° maximum / at vertical. Avoid mounting the valve so that the valve stem is below horizontal.

Wiring Diagrams

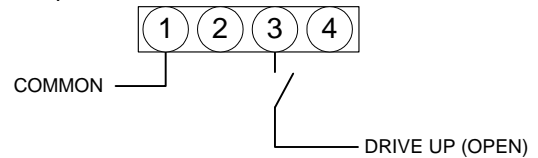
Models AQT1000A, 1005A & 1021A
 AT000-30, 005-30 & 020-30

3 wire / 2 position (ON-OFF)

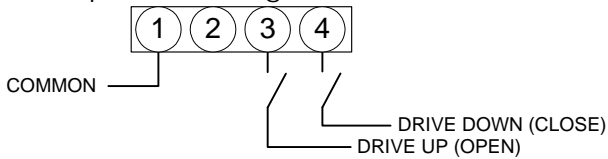


Models AQT1060A, 1065A & 1080A
 AT060-30, 065-30 & 080-30

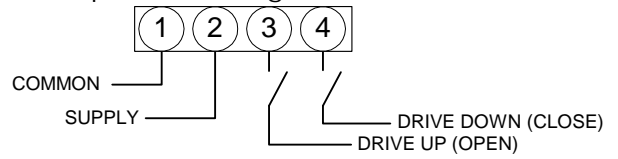
2 wire / 2 position (ON-OFF)



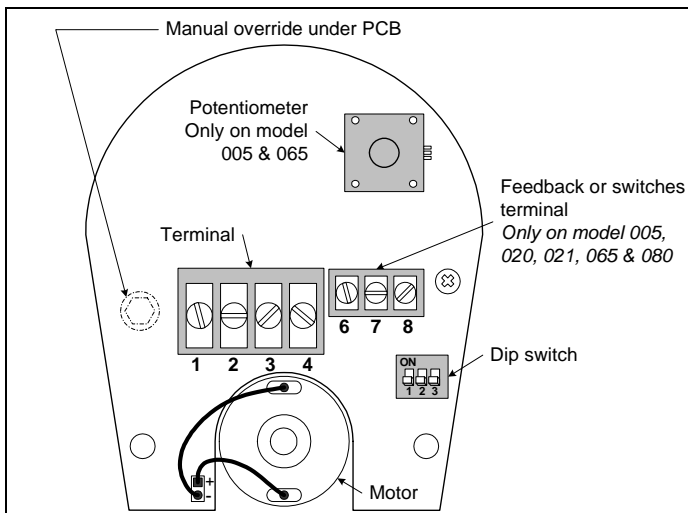
3 wire / 3 point floating



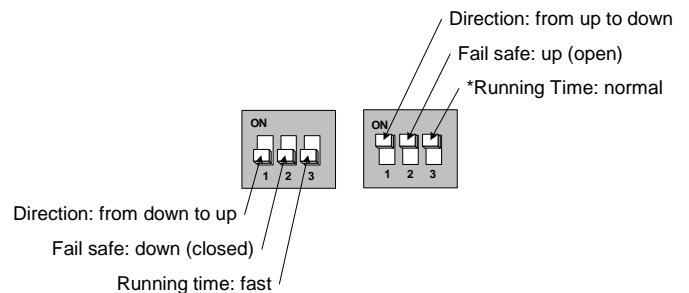
4 wire / 3 point floating



PC Board



Dip switch settings



*On AQT model:
 When switch #3 is "ON", the running time will be 60 sec.

Retrofit option

