



Feature:

- Clutch for manual adjustments.
- Maintenance free.
- Position indicator.
- Fail safe by *Enerdrive System*¹ (on model 3060, 3080, 5060 & 5080).
- Auxiliary switches (on model 3021, 3080, 5021 & 5080).

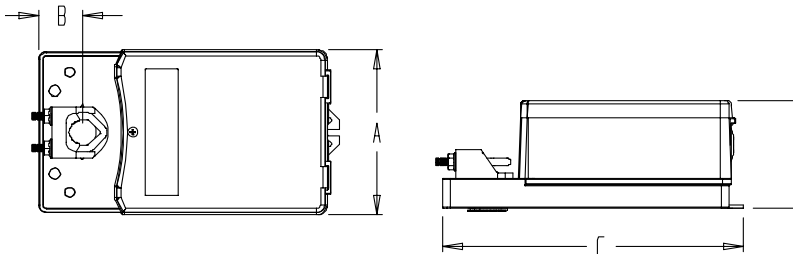
New Number

TBT3000A	TT000
TBT3005A	TT005
TBT3021A	TT020
TBT3060A	TT060
TBT3065A	TT065
TBT3080A	TT080
RBT5000A	RT000
RBT5005A	RT005
RBT5021A	RT020
RBT5060A	RT060
RBT5065A	RT065
RBT5080A	RT080

Technical Data	TBT 3000A TT000	TBT 3005A TT005	TBT 3021A TT020	TBT 3060A TT060	TBT 3065A TT065	TBT 3080A TT080	RBT 5000A RT000	RBT 5005A RT005	RBT 5021A RT020	RBT 5060A RT060	RBT 5065A RT065	RBT 5080A RT080
Auxiliary switches	No	No	Yes(2)	No	No	Yes (2)	No	No	Yes(2)	No	No	Yes (2)
Feedback	No	Yes	No	No	Yes	No	No	Yes	No	No	Yes	No
Fail safe - Enerdrive	No			Yes			No			Yes		
Power consumption	8 VA			24 VA Peak, 8 VA			10 VA			24 VA Peak, 10 VA		
Control signal	3 wire / 2 position, 3 wire / 3 point floating			2 wire / 2 position, 4 wire / 3 point floating			3 wire / 2 position, 3 wire / 3 point floating			2 wire / 2 position, 4 wire / 3 point floating		
Weight	4.5 lbs. [2 kg]						7 lbs. [3.2 kg]					
Torque	180 in.lb. [20 Nm] at rated voltage						360 in.lb. [40 Nm] at rated voltage					
Running time through 90°	60 to 85 sec Torque depending											
Power supply	22 to 26 VAC or 28 to 32 VDC											
Electrical connection	18 AWG [0.8 mm ²] minimum											
Inlet bushing	2 inlet bushing of 7/8 in [22.2 mm]											
Angle of rotation	0 to 90 degrees, mechanically adjustable with SLD (optional), (factory set with 90° stroke)											
Direction of rotation	Reversible, Clockwise (CW) or Counterclockwise (CCW) (factory set with CW direction)											
Ambient temperature	0°F to +122°F [-18° C to +50° C]											
Storage temperature	-22°F to +122°F [-30° C to +50° C]											
Relative Humidity	5 to 95 % non condensing.											

Warning: Do not press the clutch when actuator is powered

Dimensions



Dimension	Inches	Metric (mm)
A	5.20	132.1
B	1.33	33.8
C	9.13	231.9
D	3.55	90.2

Caution

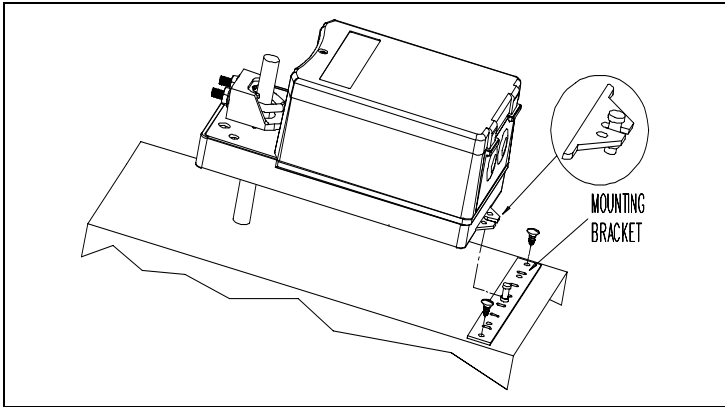
We strongly recommend that all neptronic® products be wired to a separate transformer and that transformer shall service only neptronic® products. This precaution will prevent interference with, and/or possible damage to incompatible equipment.

When multiple actuators are wired on a single transformer, polarity must be observed. Long wiring runs create voltage drop which may affect the actuator performance.

¹ Enerdrive System U.S.A. Patent #5,278,454

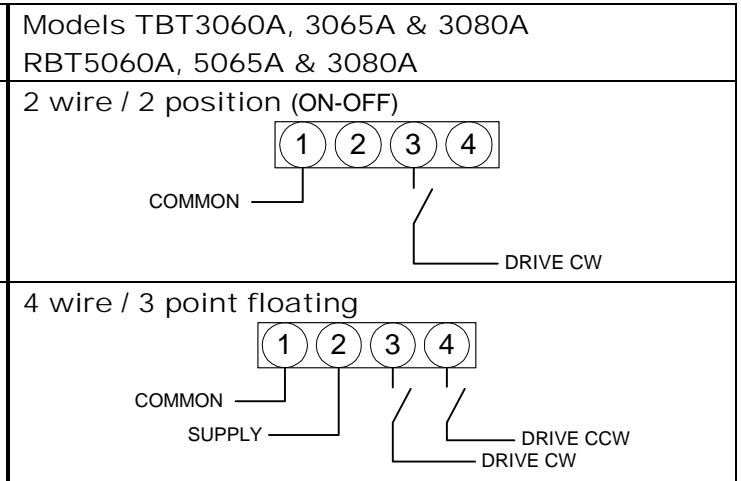
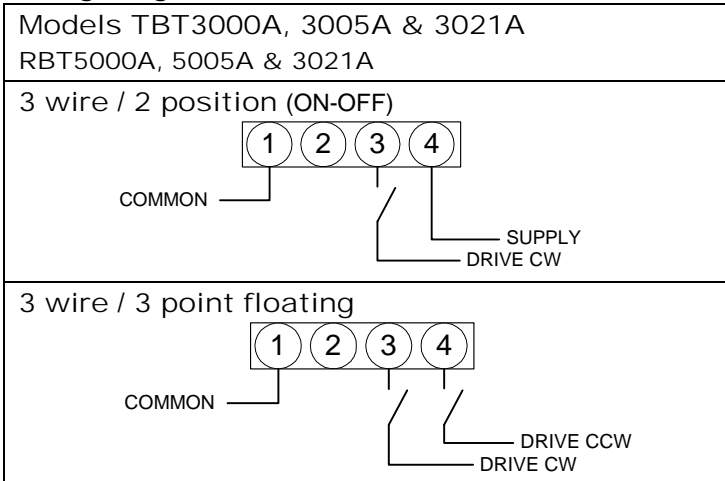


Mechanical installation

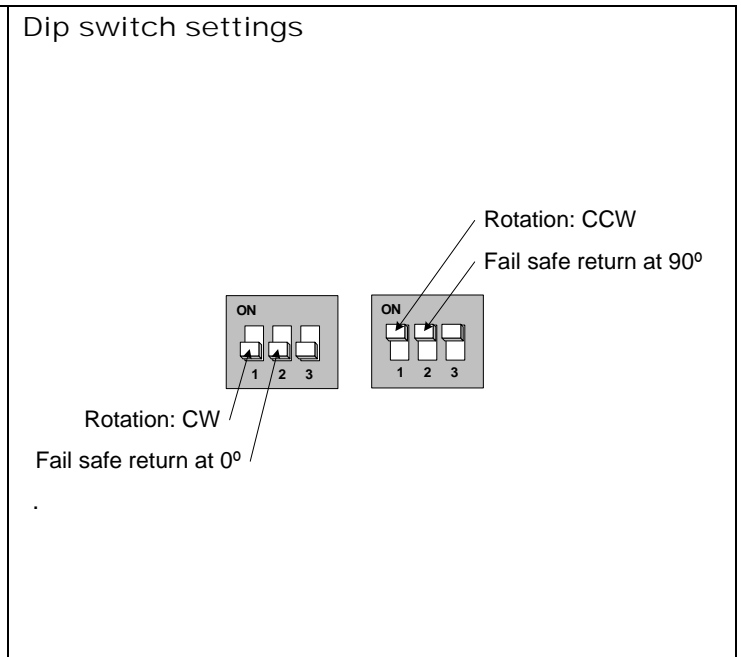
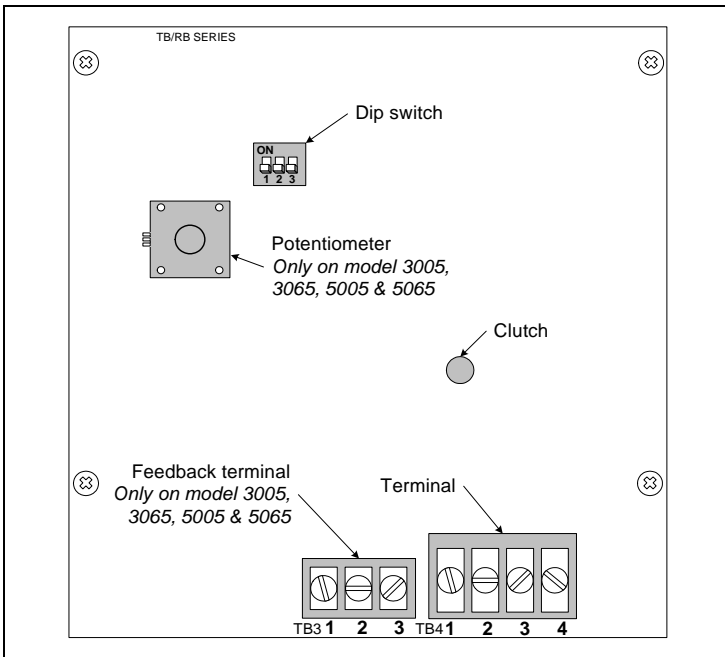


1. Manually close the damper blades and positioned the actuator at 0° or 90°.
2. Slide the actuator onto the shaft.
3. Tighten the nuts on the "U" bolt to the shaft with a 10mm wrench to a torque of 150 in.lb. [17 Nm].
4. Slide the mounting bracket under the actuator. Ensure free movement of the slot at the base of the actuator. The bracket pin must be placed in the mid distance of the slot.
5. Fix the bracket to the ductwork with #8 self-tapping screws.

Wiring Diagrams



PC Board



Stroke adjustment

To adjust the stroke, use the stroke limiting device (SLD). (not included)