



Feature:

- Power supply high voltage 120 or 240 VAC (on model LDTHV33...).
- Clutch for manual adjustments.
- Maintenance free.
- Position indicator.
- Fail safe by *Enerdrive System*¹ (on model 3060, 3065, 3080, 3360, 3365 & 3380).
- Auxiliary switches (on model 3021, 3080, 3321 & 3380).

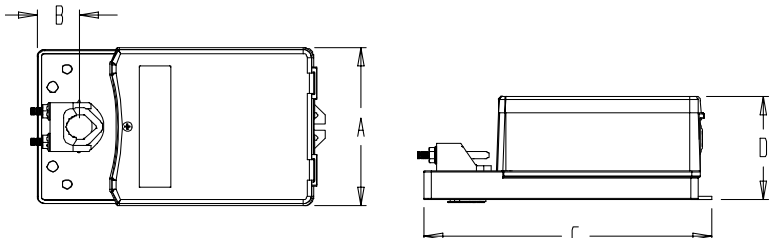
New Number

| | |
|------------|-------|
| LDT3000A | LT000 |
| LDT3005A | LT005 |
| LDT3021A | LT020 |
| LDT3060A | LT060 |
| LDT3065A | LT065 |
| LDT3080A | LT080 |
| LDTHV3300A | LT300 |
| LDTHV3305A | LT305 |
| LDTHV3321A | LT320 |
| LDTHV3360A | LT360 |
| LDTHV3365A | LT365 |
| LDTHV3380A | LT380 |

| Technical Data | LDT 3000A LT000 | LDT 3005A LT005 | LDT 3021A LT020 | LDT 3060A LT060 | LDT 3065A LT065 | LDT 3080A LT080 | LDTHV 3300A LT300 | LDTHV 3305A LT305 | LDTHV 3321A LT320 | LDTHV 3360A LT360 | LDTHV 3365A LT365 | LDTHV 3380A LT380 |
|---------------------------------|---|--------------------|--------------------|---|--------------------|--------------------|---|----------------------|----------------------|---|----------------------|----------------------|
| Auxiliary switches | No | No | Yes(2) | No | No | Yes (2) | No | No | Yes(2) | No | No | Yes (2) |
| Feedback | No | Yes | No | No | Yes | No | No | Yes | No | No | Yes | No |
| Fail safe - Enerdrive | No | | | Yes | | | No | | | Yes | | |
| Power consumption | 5 VA | | | 30 VA Peak, 5 VA | | | 8 VA | | | 35 VA Peak, 8 VA | | |
| Control signal | 3 wire / 2 position, 3 wire / 3 point floating | | | 2 wire / 2 position, 4 wire / 3 point floating | | | 3 wire / 2 position, 4 wire / 3 point floating | | | 2 wire / 2 position, 4 wire / 3 point floating | | |
| Weight | 4.5 lbs. [2 kg] | | | | | | 4.8 lbs. [2.2 kg] | | | | | |
| Power supply | 28 to 32 VDC or 22 to 26 VAC | | | | | | 110 to 130 VAC or 220 to 250 VAC 50/60Hz | | | | | |
| Approvals | | | | | | | | | | | | |
| Torque | 140 in.lb. [16 Nm] at rated voltage | | | | | | | | | | | |
| Running time through 90° | 60 to 85 sec Torque depending | | | | | | | | | | | |
| Electrical connection | 18 AWG [0.8 mm ²] minimum | | | | | | | | | | | |
| Inlet bushing | 2 inlet bushing of 7/8 in [22.2 mm] | | | | | | | | | | | |
| Angle of rotation | 0 to 90 degrees, mechanically adjustable with SLD (optional), (factory set with 90° stroke) | | | | | | | | | | | |
| Direction of rotation | Reversible, Clockwise (CW) or Counterclockwise (CCW) (factory set with CW direction) | | | | | | | | | | | |
| Ambient temperature | 0°F to +122°F [-18° C to +50° C] | | | | | | | | | | | |
| Storage temperature | -22°F to +122°F [-30° C to +50° C] | | | | | | | | | | | |
| Relative Humidity | 5 to 95 % non condensing. | | | | | | | | | | | |

Warning: Do not press the clutch when actuator is powered

Dimensions



| Dimension | Inches | Metric (mm) |
|-----------|--------|-------------|
| A | 5.20 | 132.1 |
| B | 1.33 | 33.8 |
| C | 9.13 | 231.9 |
| D | 3.39 | 86.1 |

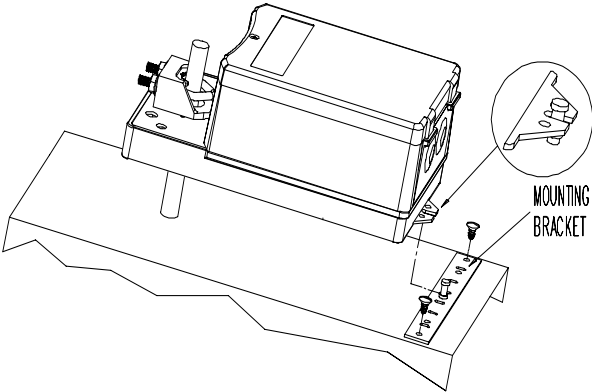
Caution

We strongly recommend that all neptronic® products be wired to a separate transformer and that transformer shall service only neptronic® products. This precaution will prevent interference with, and/or possible damage to incompatible equipment.
When multiple actuators are wired on a single transformer, polarity must be observed. Long wiring runs create voltage drop which may affect the actuator performance.

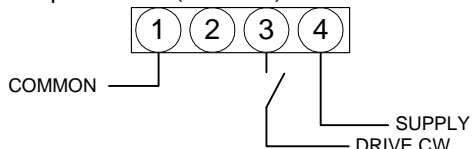
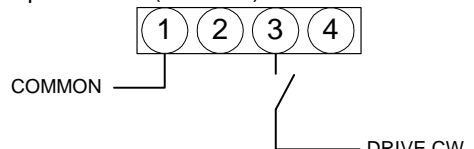
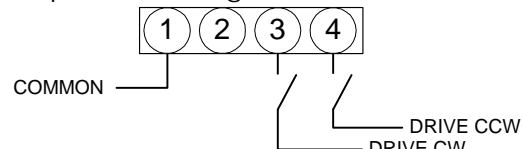
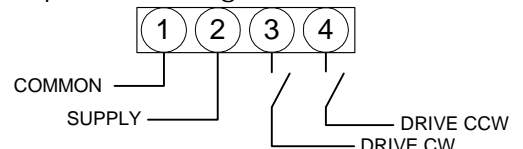
¹ Enerdrive System U.S.A. Patent #5,278,454



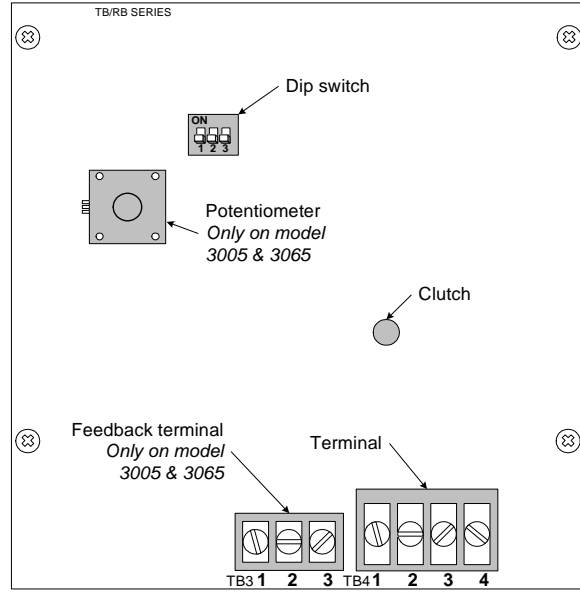
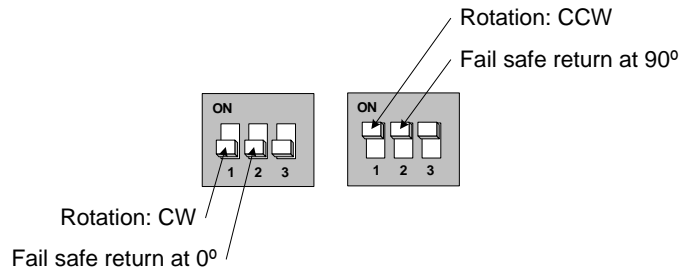
Mechanical installation

| | |
|---|--|
|  | <ol style="list-style-type: none"> 1. Manually close the damper blades and positioned the actuator at 0° or 90°. 2. Slide the actuator onto the shaft. 3. Tighten the nuts on the "U" bolt to the shaft with a 10mm wrench to a torque of 150 in.lb. [17 Nm]. 4. Slide the mounting bracket under the actuator. Ensure free movement of the slot at the base of the actuator. The bracket pin must be placed in the mid distance of the slot. 5. Fix the bracket to the ductwork with #8 self-tapping screws. |
|---|--|

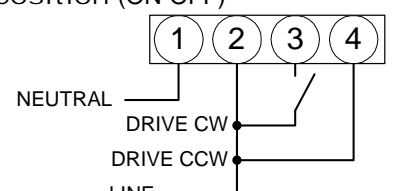
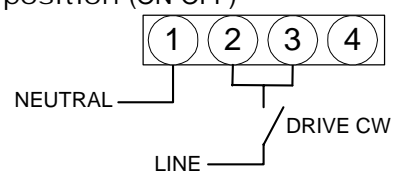
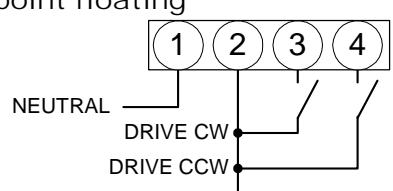
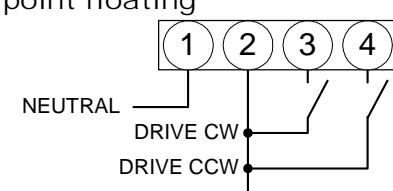
Wiring Diagrams LDT30...

| | |
|---|--|
| <p>Models LDT3000A, 3005A & 3021A</p> <p>3 wire / 2 position (ON-OFF)</p>  | <p>Models LDT3060A, 3065A & 3080A</p> <p>2 wire / 2 position (ON-OFF)</p>  |
| <p>3 wire / 3 point floating</p>  | <p>4 wire / 3 point floating</p>  |

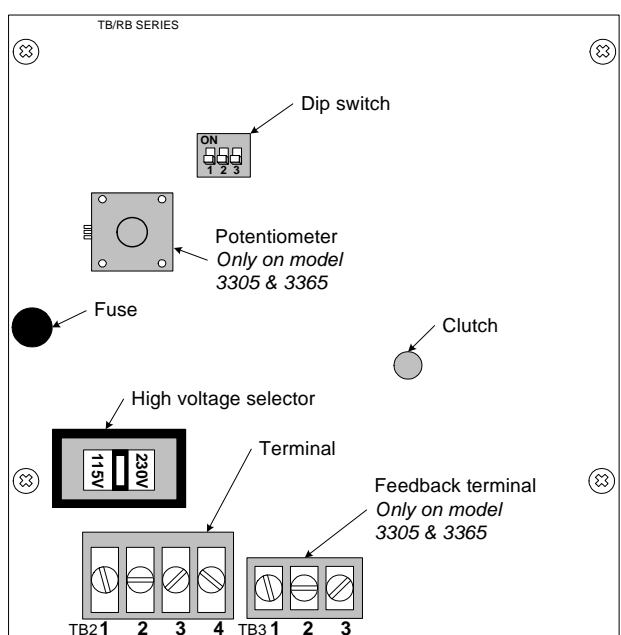
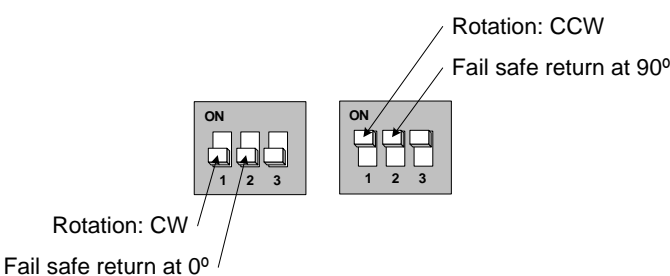

PC Board LDT30...

| | |
|---|---|
|  | <p>Dip switch settings</p>  |
|---|---|

Wiring Diagrams LDTHV33...

| | |
|---|--|
| <p>Models LDTHV3300A, 3305A & 3321A</p> <p>3 wire / 2 position (ON-OFF)</p>  | <p>Models LDTHV3360A, 3365A & 3380A</p> <p>2 wire / 2 position (ON-OFF)</p>  |
| <p>4 wire / 3 point floating</p>  | <p>4 wire / 3 point floating</p>  |

PC Board LDTHV33...

| | |
|--|--|
|  | <p>Dip switch settings</p>  <p>Rotation: CW Fail safe return at 0°</p> <p>Rotation: CCW Fail safe return at 90°</p> <hr/> <p>High voltage selector</p>  <p>Slide the high voltage selector as per voltage used.</p> |
|--|--|

Stroke adjustment

To adjust the stroke, use the stroke limiting device (SLD). (not included)

