

CF Series Automated Butterfly Valves

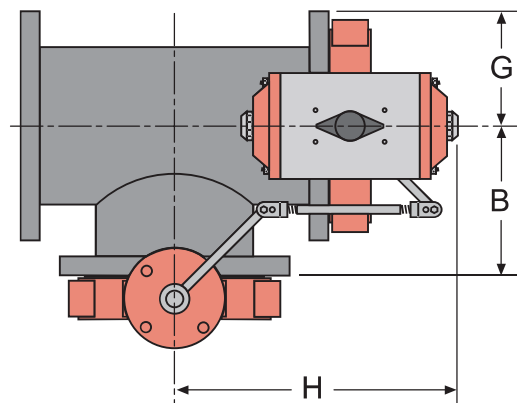
Dimensions

3-WAY SERIES 31 VALVE WITH SERIES 92/93 PNEUMATIC ACTUATOR

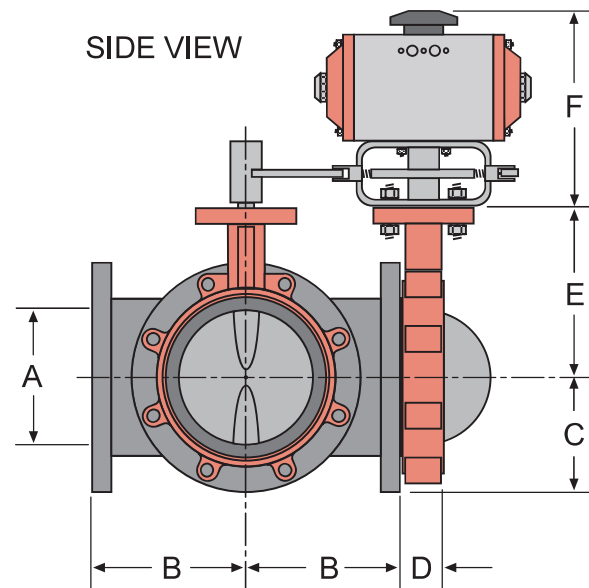
Valve NPT	Model No.	C _v 90°	C _v 60°	A	B	C	D	E	Actuator Model	F	G	H
2"	__L3-X020	144	61	2.00	4.50	3.00	1.62	5.50	92/93-063	7.30	3.00	8.30
2-1/2"	__L3-X025	282	107	2.50	5.00	3.50	1.80	6.00	92/93-083	8.20	3.50	9.80
3"	__L3-X030	461	154	3.00	5.50	3.80	1.80	6.20	92/93-083	8.20	3.80	10.30
4"	__L3-X040	841	274	4.00	6.50	4.50	2.00	7.00	92/93-083	8.20	4.50	11.40
5"	__L3-X050	1376	428	5.00	7.50	5.00	2.12	7.50	90/93-118	9.90	5.00	14.60
6"	__L3-X060	1850	567	5.80	8.00	5.50	2.12	8.00	92/93-118	9.90	5.50	15.20
8"	__L3-X080	3316	1081	7.80	9.00	6.80	2.50	9.50	92/93-127	11.70	6.80	18.40
10"	__L3-X100	5430	1710	9.80	11.00	8.00	2.50	10.80	92/93-160	13.40	8.00	19.90
12"	__L3-X120	8077	2563	11.80	12.00	9.50	3.00	12.20	92/93-210	15.60	9.50	23.00
14"	__L3-X140	10538	3384	13.20	14.00	10.50	3.00	13.60	92/93-210	17.60	10.50	25.00
16"	__L3-X160	13966	4483	15.20	15.00	11.80	4.00	14.80	90/91-255	19.50	11.80	30.40
18"	__L3-X180	17214	5736	17.20	16.50	12.50	4.20	16.00	90/91-255	19.50	12.50	32.00
20"	__L3-X200	22339	7144	19.20	18.00	13.75	5.00	17.20	90/91-255	19.50	13.80	33.80

Configuration Number
 NY=Nylon Coated Disc / AB=Aluminum Bronze Disc

TOP VIEW



SIDE VIEW



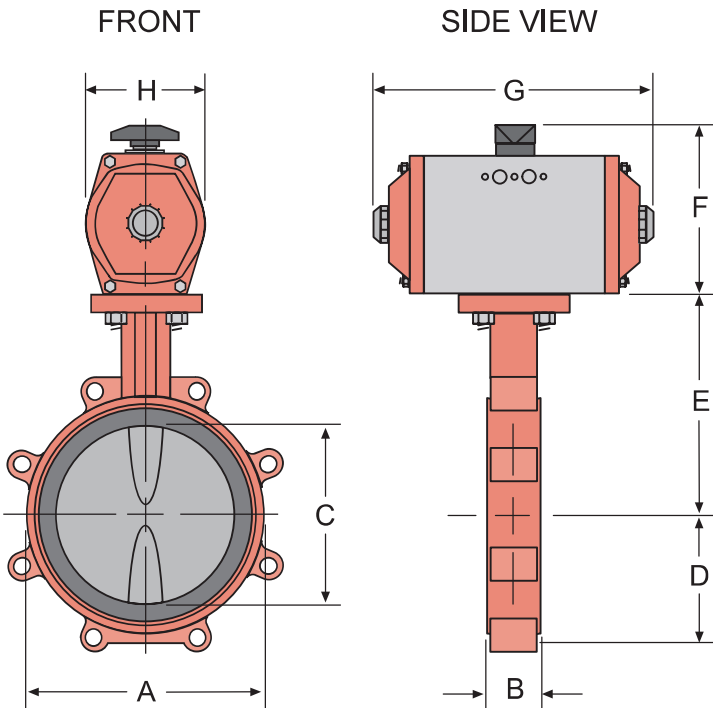
CF Series Automated Butterfly Valves

Dimensions

2-WAY SERIES 31 VALVE WITH SERIES 92/93 PNEUMATIC ACTUATOR

Valve NPT	Model No.	C _v 90°	C _v 60°	A	B	C	D	E	Lug Bolting Data		
									BC	Holes	Threads
2"	__L2-X020	144	61	3.69	1.62	2.00	2.30	5.50	4.75	4	5/8-11
2-1/2"	__L2-X025	282	107	4.19	1.75	2.50	2.57	6.00	5.50	4	5/8-11
3"	__L2-X030	461	154	4.88	1.75	3.00	2.81	6.25	6.00	4	5/8-11
4"	__L2-X040	841	274	6.06	2.00	4.00	4.09	7.00	7.50	8	5/8-11
5"	__L2-X050	1376	428	7.06	2.12	5.00	4.61	7.50	8.50	8	3/4-10
6"	__L2-X060	1850	567	8.12	2.12	5.75	5.06	8.00	9.50	8	3/4-10
8"	__L2-X080	3316	1081	10.50	2.50	7.75	6.05	9.50	11.75	8	3/4-10
10"	__L2-X100	5430	1710	12.75	2.50	9.75	7.69	10.75	14.25	12	7/8-9
12"	__L2-X120	8077	2563	14.88	3.00	11.75	9.02	12.25	17.00	12	7/8-9
14"	__L2-X140	10538	3384	17.05	3.00	13.25	9.93	13.62	18.75	12	1-8
16"	__L2-X160	13966	4483	19.21	4.00	15.25	11.30	14.75	21.25	16	1-8
18"	__L2-X180	17214	5736	21.12	4.25	17.25	12.16	16.00	22.75	16	1 1/8-7
20"	__L2-X200	22339	7144	23.25	5.00	19.25	14.00	17.25	25.00	20	1 1/8-7

→ N=Normally Open / C=Normally Closed
 → NY=Nylon Coated Disc / AB=Aluminum Bronze Disc



Actuator Model	F	G	H
92/93-63	4.29	6.00	2.76
92/93-83	5.20	7.89	3.58
92/93-92	5.54	8.91	3.94
92/93-118	6.93	12.10	4.72
92/93-127	7.73	12.34	5.39
92/93-160	9.37	15.45	6.77
92/93-210	11.61	18.92	8.83
90/91-255	13.46	26.70	10.75