

### CF Series Automated Butterfly Valves

#### Dimensions

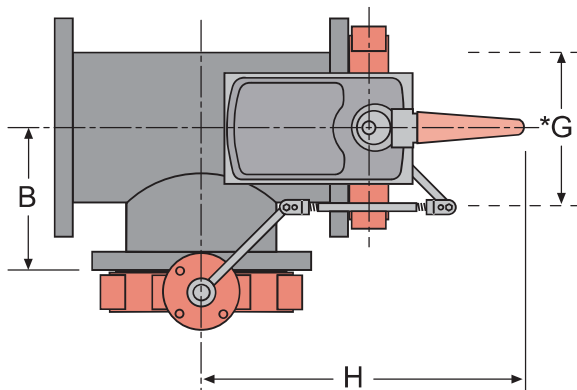
#### 3-WAY VALVE WITH CA SERIES ELECTRIC ACTUATOR

Valve NPT	Model No.	C <sub>v</sub> 90°	C <sub>v</sub> 60°	A	B	C	D	E	H	Actuator Model	F	G*
2"	_L3-X020	144	61	2.00	4.50	3.00	1.62	5.50	12.00	NR-2216	7.50	10.00
2-1/2"	_L3-X025	282	107	2.50	5.00	3.50	1.80	6.00	13.00	NR-2224	7.50	10.00
3"	_L3-X030	461	154	3.00	5.50	3.80	1.80	6.20	13.50	SR-2216	7.50	—
4"	_L3-X040	841	274	4.00	6.50	4.50	2.00	7.00	14.50	B Models	7.50	—
5"	_L3-X050	1376	428	5.00	7.50	5.00	2.12	7.50	15.50	Dual Act.	13.25	—
6"	_L3-X060	1850	567	5.80	8.00	5.50	2.12	8.00	16.25			

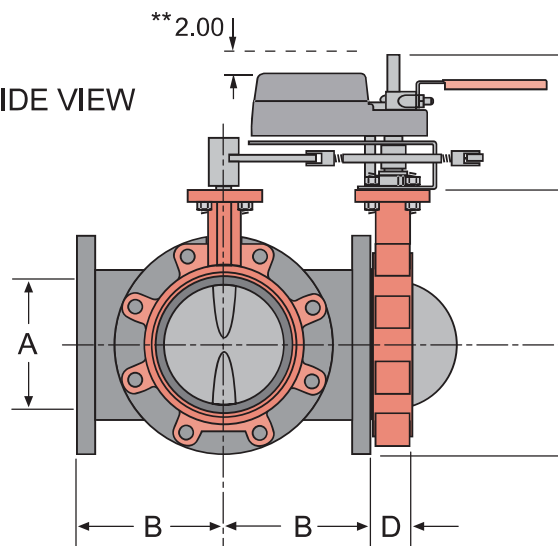
Configuration Number  
 NY=Nylon Coated Disc / AB=Aluminum Bronze Disc

\*G = range of handle rotation

TOP VIEW

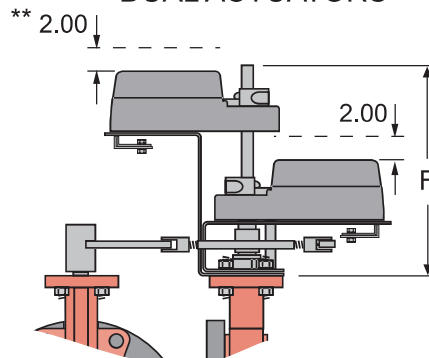


SIDE VIEW



\*\*minimum required for cover removal

DUAL ACTUATORS



### CF Series Automated Butterfly Valves

#### Dimensions

#### 2-WAY VALVE WITH CA SERIES ELECTRIC ACTUATOR

Valve NPT	Model No.	C <sub>v</sub> 90°	C <sub>v</sub> 60°	A	B	C	D	E	Lug Bolting Data		
									BC	Holes	Threads
2"	__L2-X020	144	61	3.69	1.62	2.00	2.30	5.50	4.75	4	5/8-11
2-1/2"	__L2-X025	282	107	4.19	1.75	2.50	2.57	6.00	5.50	4	5/8-11
3"	__L2-X030	461	154	4.88	1.75	3.00	2.81	6.25	6.00	4	5/8-11
4"	__L2-X040	841	274	6.06	2.00	4.00	4.09	7.00	7.50	8	5/8-11
5"	__L2-X050	1376	428	7.06	2.12	5.00	4.61	7.50	8.50	8	3/4-10
6"	__L2-X060	1850	567	8.12	2.12	5.75	5.06	8.00	9.50	8	3/4-10

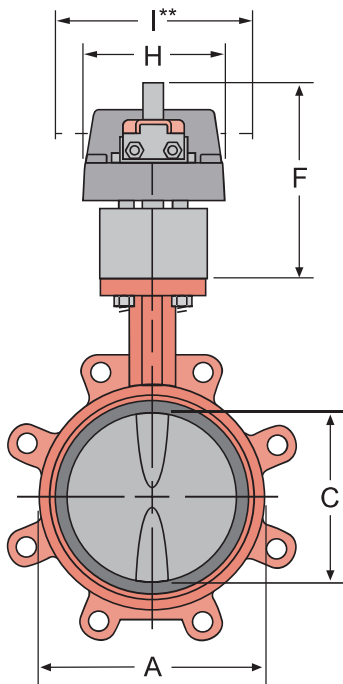
→ N=Normally Open / C=Normally Closed  
 → NY=Nylon Coated Disc / AB=Aluminum Bronze Disc

\*\*I = range of handle rotation

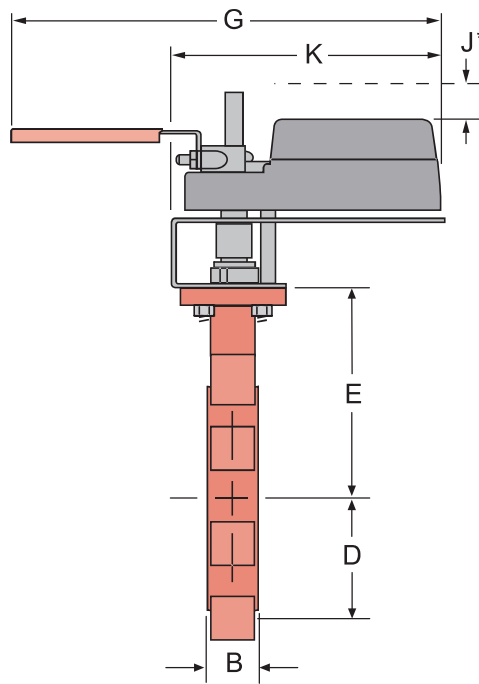
\*J = height required for cover removal

Actuator Model	F	G	H	I**	J*	K
NR-2216	6.00	12.50	4.00	10.00	2.00	7.50
NR-2224	6.00	12.50	4.00	10.00	2.00	7.50
SR-2216	6.00	—	4.00	—	2.00	10.00
B Series	6.00	—	4.00	—	—	10.50
Dual Act.	11.75	16.00	5.00	—	2.00	—

FRONT VIEW



SIDE VIEW



DUAL ACTUATORS

