

**CF Series
Automated Butterfly Valves**

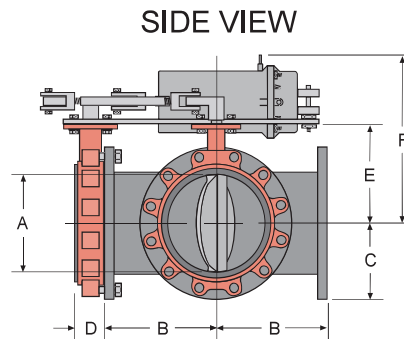
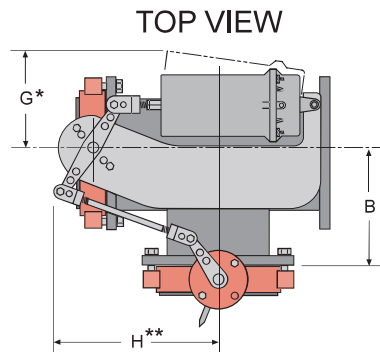
Dimensions

3-WAY SERIES 31 VALVE WITH LOW PRESSURE PNEUMATIC ACTUATOR

Valve NPT	Model No.	C _v 90°	C _v 60°	A	B	C	D	E	Actuator Model	F	G*	H**
2"	__L3-x020	144	61	2.00	4.50	3.00	1.62	5.50	NR-D-3153	8.62	5.66	9.83
2-1/2"	__L3-x025	282	107	2.50	5.00	3.50	1.80	6.00	NR-D-3153	9.12	5.66	10.40
3"	__L3-x030	461	154	3.00	5.50	3.80	1.80	6.25	NR-D-3153	9.38	5.66	10.90
4"	__L3-x040	841	274	4.00	6.50	4.50	2.00	7.00	NR-D-3244	13.75	7.31	12.02
5"	__L3-x050	1376	428	5.00	7.50	5.00	2.12	7.50	NR-D-3246	14.38	8.94	13.76
6"	__L3-x060	1850	567	5.80	8.00	5.50	2.12	8.00	NR-D-3246	14.88	8.94	14.26

↳ NY=Nylon Coated Disc AB=Aluminum Bronze Disc

* G = Max swing of actuator
**H = Max swing of arm

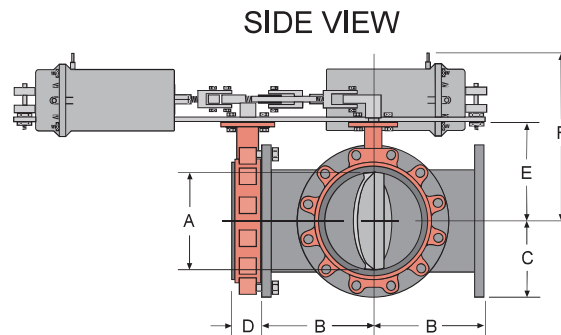
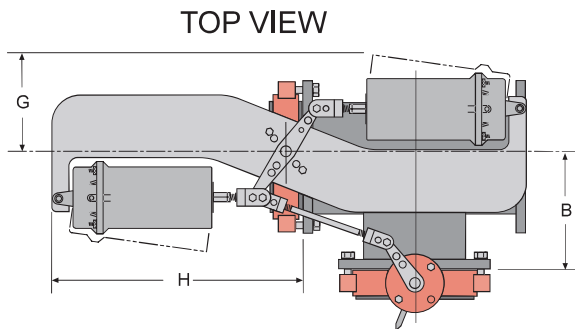


3-WAY SERIES 31 VALVE WITH DUAL LOW PRESSURE PNEUMATIC ACTUATORS

Valve NPT	Model No.	C _v 90°	C _v 60°	A	B	C	D	E	Actuator Model	F	G*	H
6"	__L3-x060	1850	567	5.80	8.00	5.50	2.12	8.00	NR-D-3246-D	14.88	8.94	23.81
8"	__L3-x080	3316	1082	7.80	9.00	6.75	2.50	9.50	NR-D-3246-D	16.38	8.94	24.00

↳ NY=Nylon Coated Disc AB=Aluminum Bronze Disc

* G = Max swing of actuator



**CF Series
Automated Butterfly Valves**

Dimensions

2-WAY SERIES 31 VALVE WITH DUAL LOW PRESSURE PNEUMATIC ACTUATORS

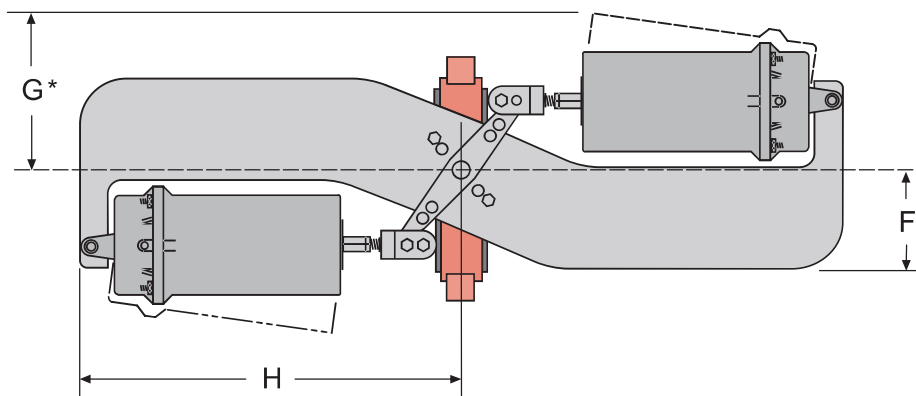
Valve NPT	Model No.	C _v 90°	C _v 60°	A	B	C	D	E	Lug Bolting Data		
									BC	Holes	Threads
8"	L2-X080	3316	1081	7.75	6.05	2.50	9.50	16.38	11.75	8	3/4-10
10"	L2-X100	5430	1710	9.75	7.69	2.50	10.75	17.62	14.25	12	7/8-9

→ N=Normally Open / C=Normally Closed
→ NY=Nylon Coated Disc / AB=Aluminum Bronze Disc

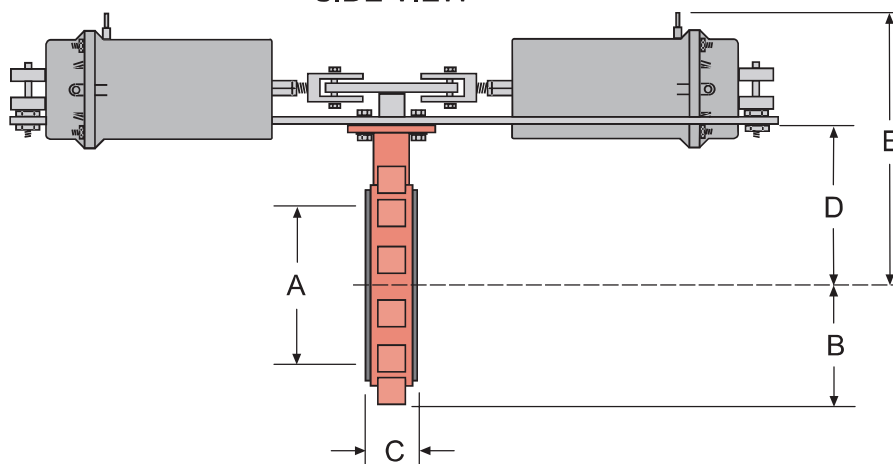
Actuator Model	F	G*	H
NR-D-3246-D	6.00	8.94	22.75

* G = Max swing of actuator

TOP VIEW



SIDE VIEW



**CF Series
Automated Butterfly Valves**

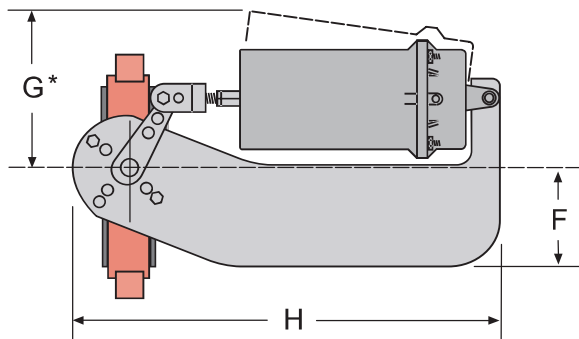
Dimensions

2-WAY SERIES 31 VALVE WITH LOW PRESSURE PNEUMATIC ACTUATOR

Valve NPT	Model No.	C _v 90°	C _v 60°	A	B	C	D	E	Lug Bolting Data		
									BC	Holes	Threads
2"	__L2-X020	144	61	2.00	2.30	1.62	5.50	8.62	4.75	4	5/8-11
2-1/2"	__L2-X025	282	107	2.50	2.57	1.75	6.00	9.12	5.50	4	5/8-11
3"	__L2-X030	461	154	3.00	2.81	1.75	6.25	9.38	6.00	4	5/8-11
4"	__L2-X040	841	274	4.00	4.09	2.00	7.00	13.75	7.50	8	5/8-11
5"	__L2-X050	1376	428	5.00	4.61	2.12	7.50	14.38	8.50	8	3/4-10
6"	__L2-X060	1850	567	5.75	5.06	2.12	8.00	14.88	9.50	8	3/4-10
8"	__L2-X080	3316	1081	7.75	6.05	2.50	9.50	16.38	11.75	8	3/4-10

→ N=Normally Open / C=Normally Closed
→ NY=Nylon Coated Disc / AB=Aluminum Bronze Disc

TOP VIEW



Actuator Model	F	G*	H
NR-D-3153	3.38	5.66	15.97
NR-D-3244	4.88	7.31	19.94
NR-D-3246	5.45	8.94	25.81

* G = Max swing of actuator

SIDE VIEW

