

**CF Series  
Automated Butterfly Valves**

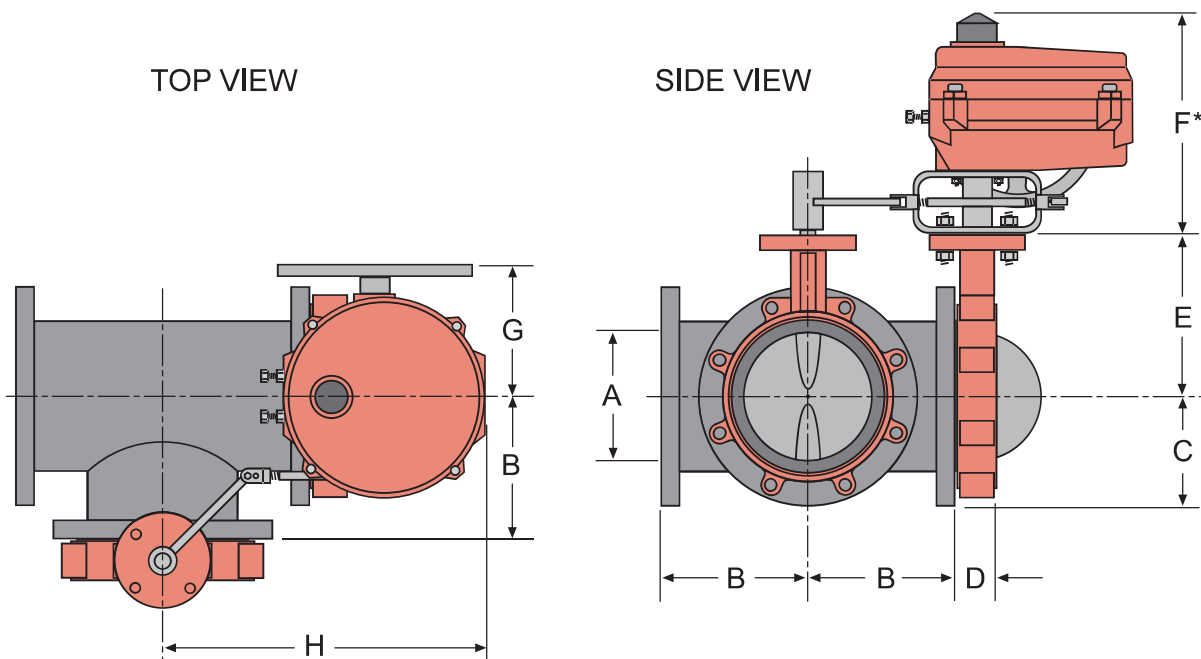
**Dimensions**

**3-WAY SERIES 31 VALVE WITH SERIES 70 ELECTRIC ACTUATOR**

Valve NPT	Model No.	C <sub>v</sub> 90°	C <sub>v</sub> 60°	A	B	C	D	E	Actuator Model	F*	G	H
2"	__L3-X020	144	61	2.00	4.50	3.00	1.62	5.50	70-0051	9.70	5.80	11.00
2-1/2"	__L3-X025	282	107	2.50	5.00	3.50	1.80	6.00	70-0051	9.70	5.80	11.60
3"	__L3-X030	461	154	3.00	5.50	3.80	1.80	6.20	70-0051	9.70	5.80	12.00
4"	__L3-X040	841	274	4.00	6.50	4.50	2.00	7.00	70-0081	11.10	7.80	15.20
5"	__L3-X050	1376	428	5.00	7.50	5.00	2.12	7.50	70-0121	11.10	7.80	16.30
6"	__L3-X060	1850	567	5.80	8.00	5.50	2.12	8.00	70-0201	11.10	7.80	16.80
8"	__L3-X080	3316	1081	7.80	9.00	6.80	2.50	9.50	70-0301	12.80	9.50	19.50
10"	__L3-X100	5430	1710	9.80	11.00	8.00	2.50	10.80	70-0501	12.80	9.50	21.50
12"	__L3-X120	8077	2563	11.80	12.00	9.50	3.00	12.20	70-0651	12.80	9.50	22.70
14"	__L3-X140	10538	3384	13.20	14.00	10.50	3.00	13.60	70-0651	12.80	9.50	24.70
16"	__L3-X160	22339	7144	15.20	15.00	11.80	4.00	14.80	70-0651	12.80	9.50	26.20

Configuration Number  
 NY=Nylon Coated Disc / AB=Aluminum Bronze Disc

\* Allow additional 5" for Actuator Cover removal.



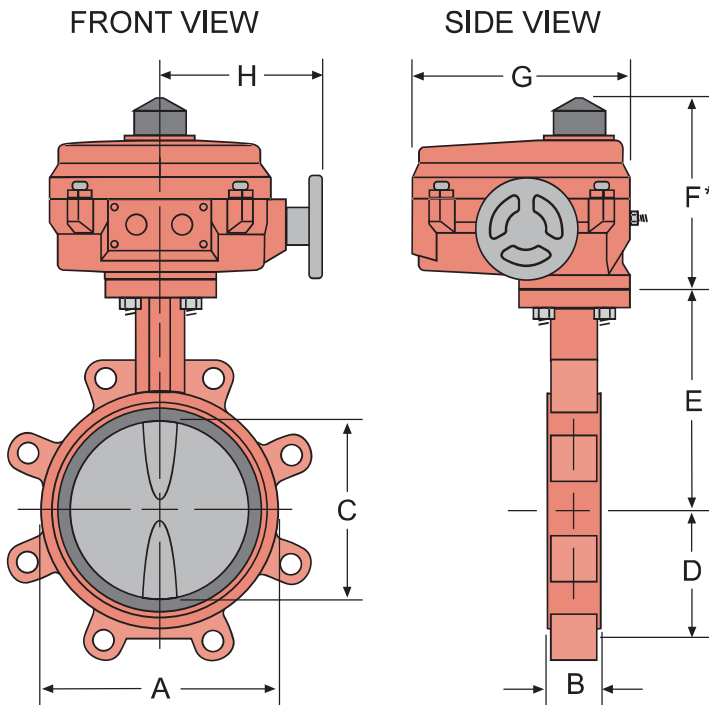
### CF Series Automated Butterfly Valves

#### Dimensions

#### 2-WAY SERIES 31 VALVE WITH SERIES 70 ELECTRIC ACTUATOR

Valve NPT	Model No.	C <sub>v</sub> 90°	C <sub>v</sub> 60°	A	B	C	D	E	Lug Bolting Data		
									BC	Holes	Threads
2"	__L2-X020	144	61	3.69	1.62	2.00	2.30	5.50	4.75	4	5/8-11
2-1/2"	__L2-X025	282	107	4.19	1.75	2.50	2.57	6.00	5.50	4	5/8-11
3"	__L2-X030	461	154	4.88	1.75	3.00	2.81	6.25	6.00	4	5/8-11
4"	__L2-X040	841	274	6.06	2.00	4.00	4.09	7.00	7.50	8	5/8-11
5"	__L2-X050	1376	428	7.06	2.12	5.00	4.61	7.50	8.50	8	3/4-10
6"	__L2-X060	1850	567	8.12	2.12	5.75	5.06	8.00	9.50	8	3/4-10
8"	__L2-X080	3316	1081	10.50	2.50	7.75	6.05	9.50	11.75	8	3/4-10
10"	__L2-X100	5430	1710	12.75	2.50	9.75	7.69	10.75	14.25	12	7/8-9
12"	__L2-X120	8077	2563	14.88	3.00	11.75	9.02	12.25	17.00	12	7/8-9
14"	__L2-X140	10538	3384	17.05	3.00	13.25	9.93	13.62	18.75	12	1-8
16"	__L2-X160	13966	4483	19.21	4.00	15.25	11.30	14.75	21.25	16	1-8
18"	__L2-X180	17214	5736	21.12	4.25	17.25	12.16	16.00	22.75	16	1 1/8-7

→ N=Normally Open / C=Normally Closed  
 → NY=Nylon Coated Disc / AB=Aluminum Bronze Disc



Actuator Model	F*	G	H
70-0051	6.70	7.50	5.80
70-0081/0121/0201	8.10	10.10	7.80
70-0301/0501/0651	8.80	12.10	9.50

\* Allow additional 5" for Actuator Cover removal.